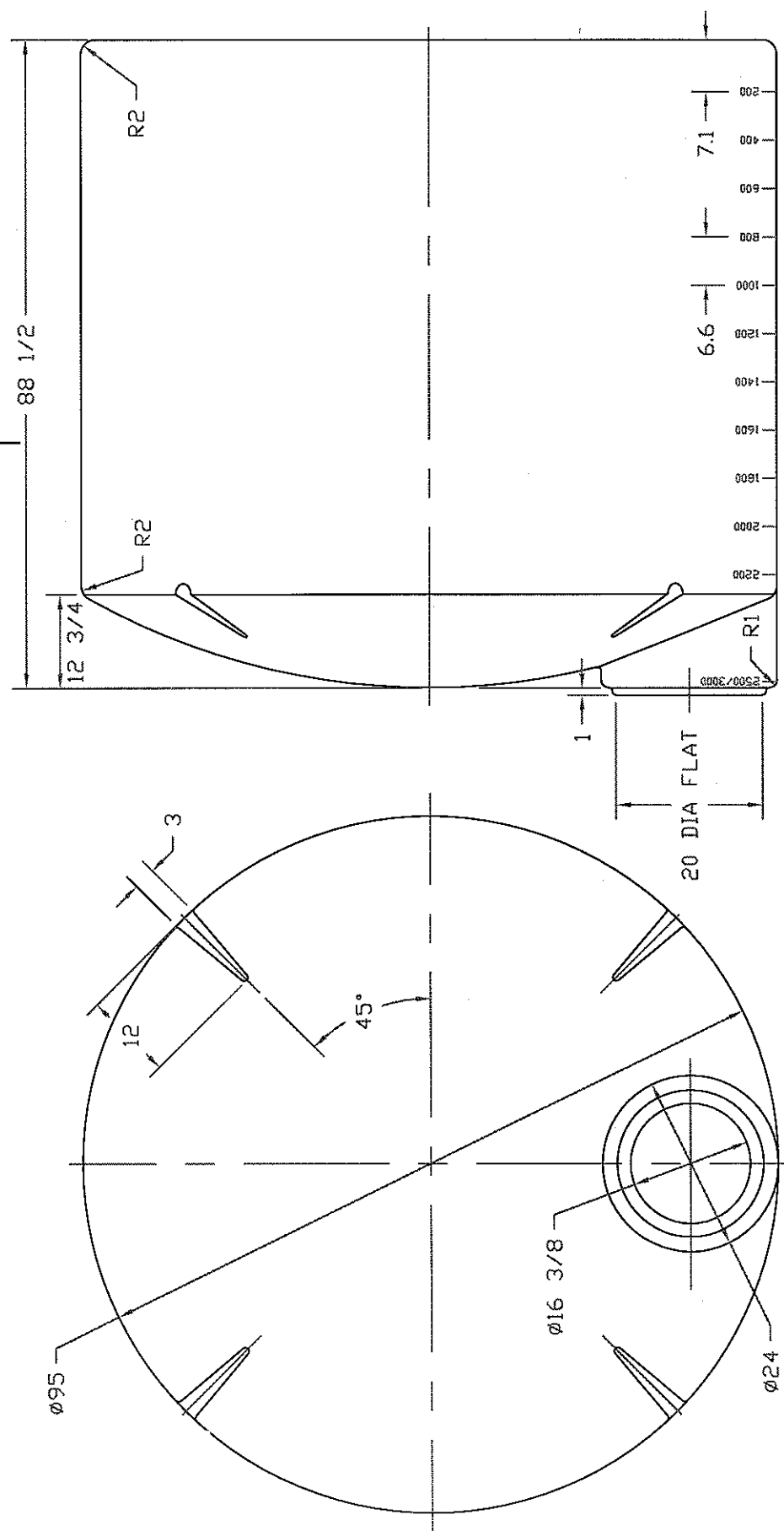


REVISIONS		
ZONE	REV	DESCRIPTION
	C	REDRAWN
		DATE
		1MAY96
		APPROVED



NORWESCO		ST. BONIFACIUS, MN	
2500 GALLON VERTICAL STORAGE TANK			
JTP	1MAY96	SIZE	FSCM NO.
		B	
		DWG NO.	C
		SCALE	1/16
		SHEET	