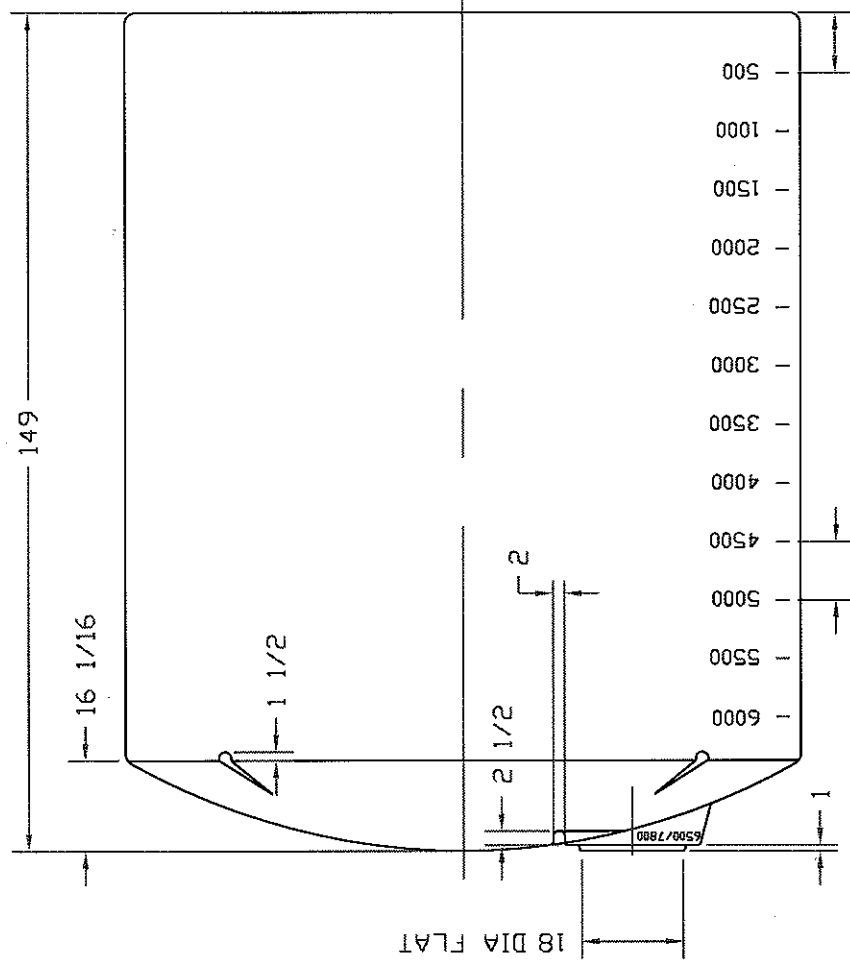
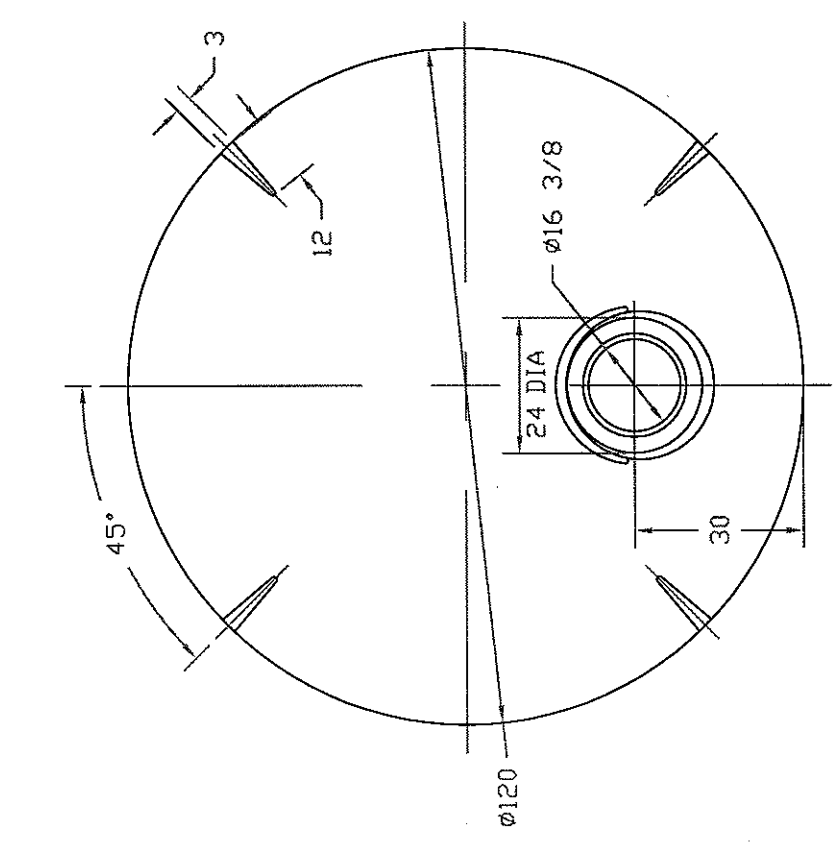


REVISIONS		
ZONE	REV	DESCRIPTION

DATE	APPROVED



10 13/32

10 13/16

**NORWESCO**  
ST. BONIFACIUS, MN  
6500 GALLON VERTICAL  
TANK

JTP	26AUG94	SIZE	FSCM NO.	DWG NO.	REV
		B			
SCALE 1/24				SHEET	