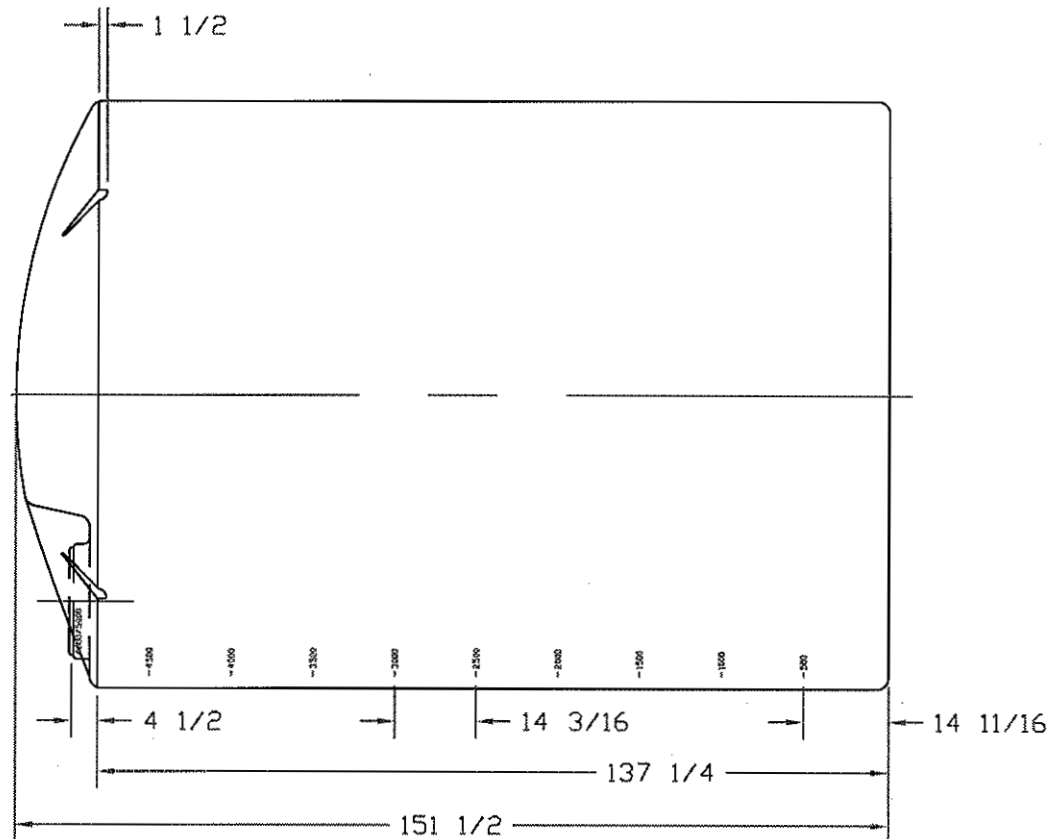
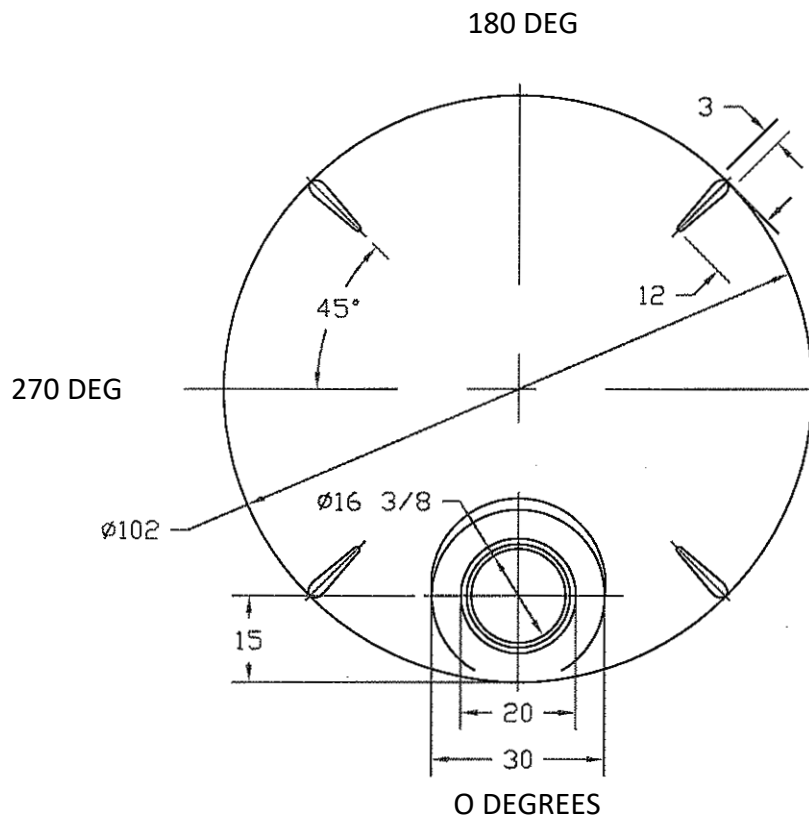


REVISIONS				
ZONE	REV	DESCRIPTION	DATE	APPROVED
	B	REDRAWN	14AUG97	



		NORWESCO			
		ST. BONIFACIUS, MN			
		5000 GALLON VERTICAL STORAGE TANK			
JTP	14AUG97	SIZE B	FSCM NO.	DWG NO.	REV B
		SCALE 1/24			SHEET