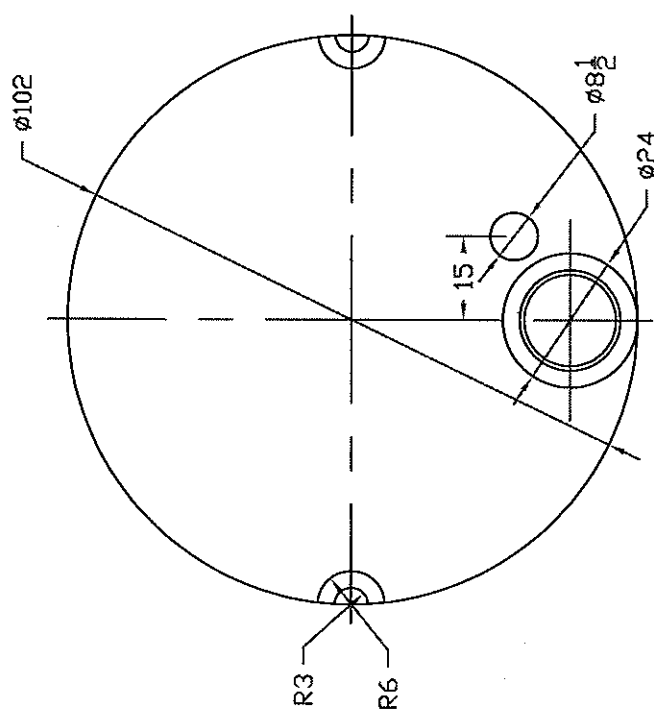
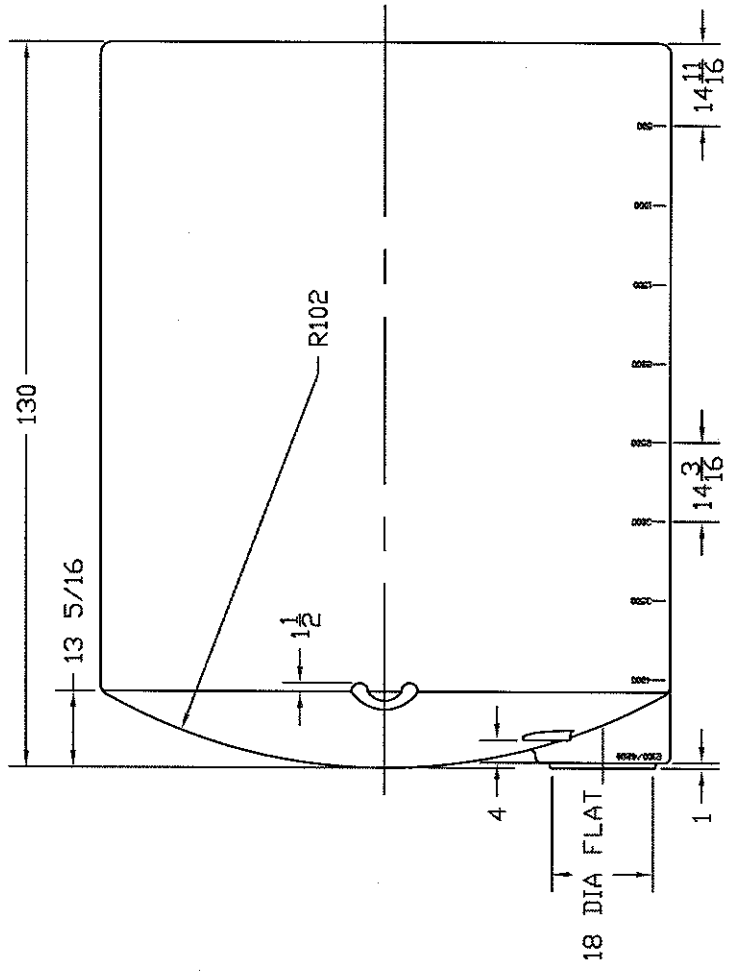


REVISIONS		DATE	APPROVED
ZONE	REV	DESCRIPTION	



NORWESCO		ST. BONIFACIUS, MN	
4200 GALLON VERTICAL		STORAGE TANK	
JTP	28JUL98	SIZE	B
		FORM NO.	
		DWG NO.	
		REV	
		SCALE	1/24
			SHEET

SHAWNEE, OK