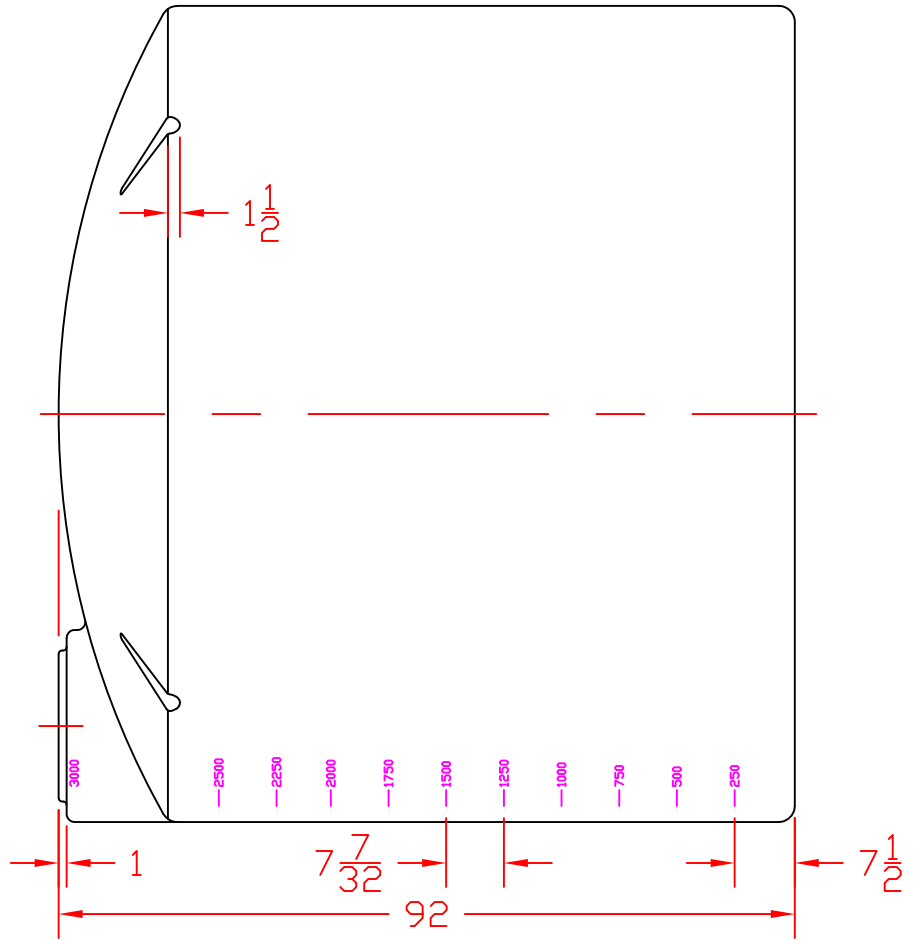
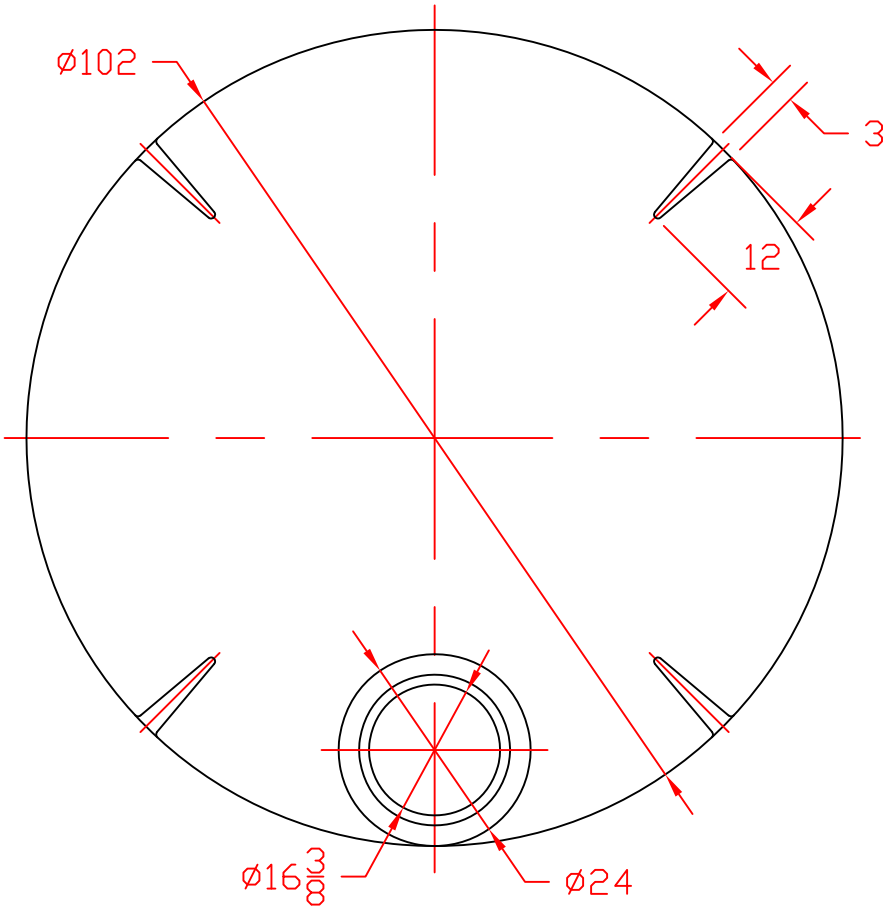


REVISIONS				
ZONE	REV	DESCRIPTION	DATE	APPROVED



JTP 26FEB03				
		ST. BONIFACIUS, MN 3000 GALLON VERT TANK, 102 DIA, 16 INCH LID		
SIZE A	FSCM NO.	DWG NO.	REV	
SCALE 1/24		SHEET		