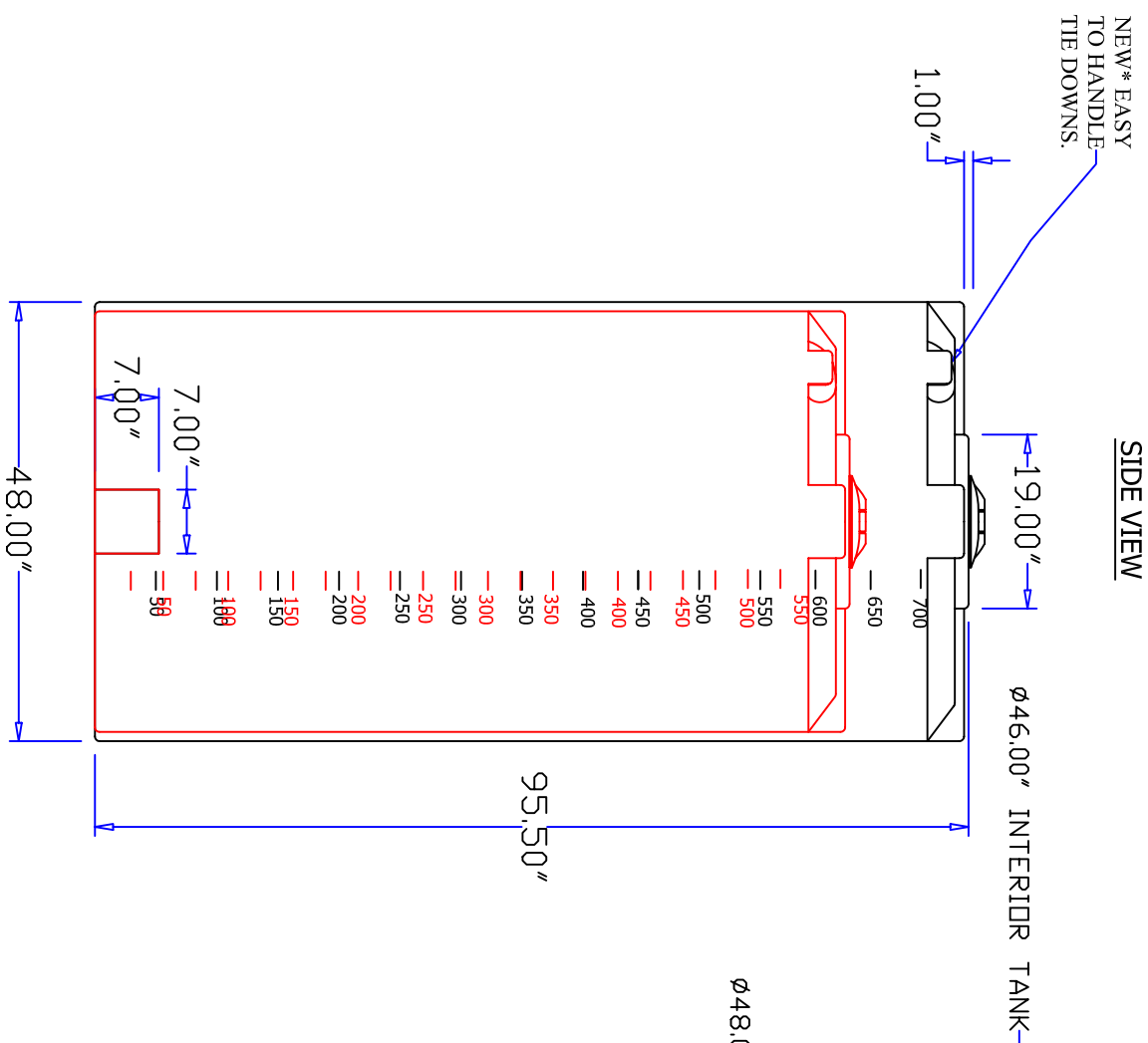
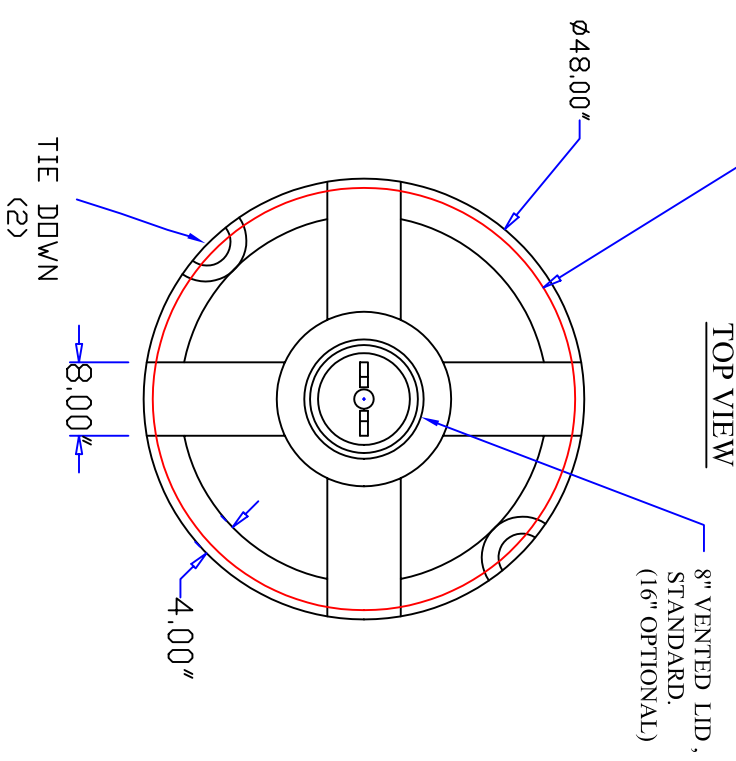


**SIDE VIEW**



**TOP VIEW**

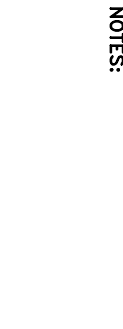


REV	DESCRIPTION	DATE	APPRD

DRAWN / DATE	MATERIAL / SHOT WEIGHT
MSYKES/6/11/03	HDPE 375 LBS.
APPRD. / DATE	NOTES:

CLIENT / DESCRIPTION	SCALE	PART NO.
550 GALLON DUAL CONTAINMENT TANK	N.S.	VTBDC550-48

ALL DIMENSIONS ARE IN DECIMAL INCHES  
TOLERANCES UNLESS OTHERWISE SPECIFIED  
+ .5% @ 68° F



**BALLIFF ENTERPRISES, INC.**  
8423 AIRLINE DRIVE, HOUSTON, TEXAS 77037  
PHONE (281) 447-5372 FAX (281) 999-1223