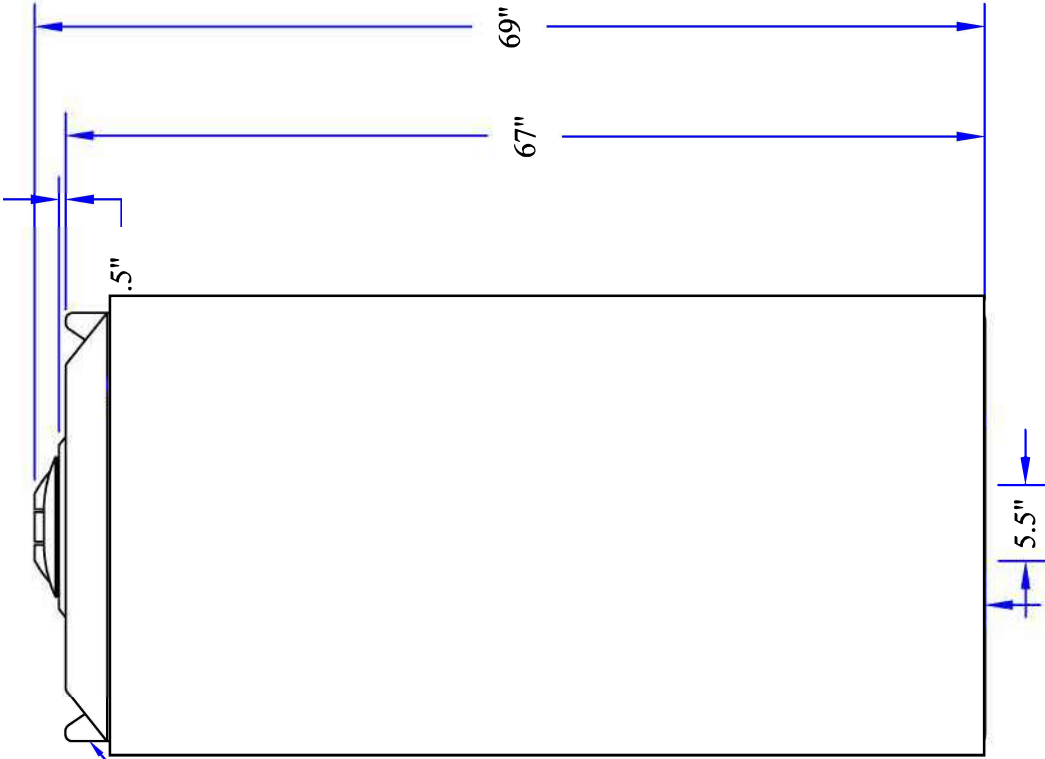
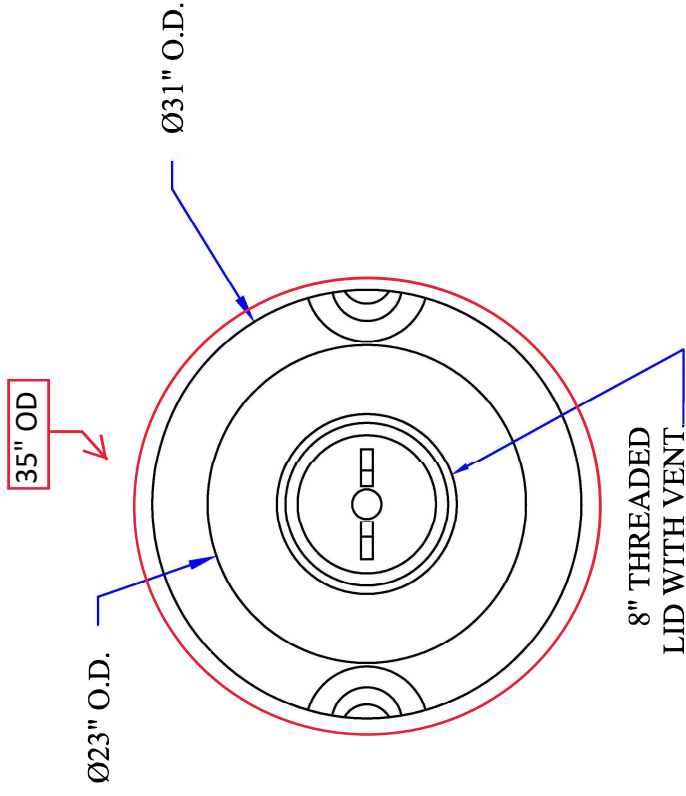


**SIDE VIEW**



**TOP VIEW**



MOLDED IN TIE-DOWN LUGS

**BAILLIFF ENTERPRISES, INC.**  
305 ROGERS ROAD, WILLS, TEXAS 77078

200 GALLON DOUBLE WALLVERTICAL TANK

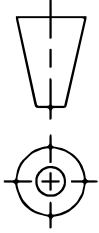
SCALE N.S. PART NO. VTBDC0200-35

MATERIAL / SHOT WEIGHT

HDPE

NOTES:

THIRD ANGLE PROJECTION  
ANSI 14.5M



ALL DIMENSIONS ARE IN DECIMAL INCHES  
TOLERANCES UNLESS OTHERWISE SPECIFIED  
+ .5% ● 68° F

REV	DESCRIPTION	DATE	APPRD