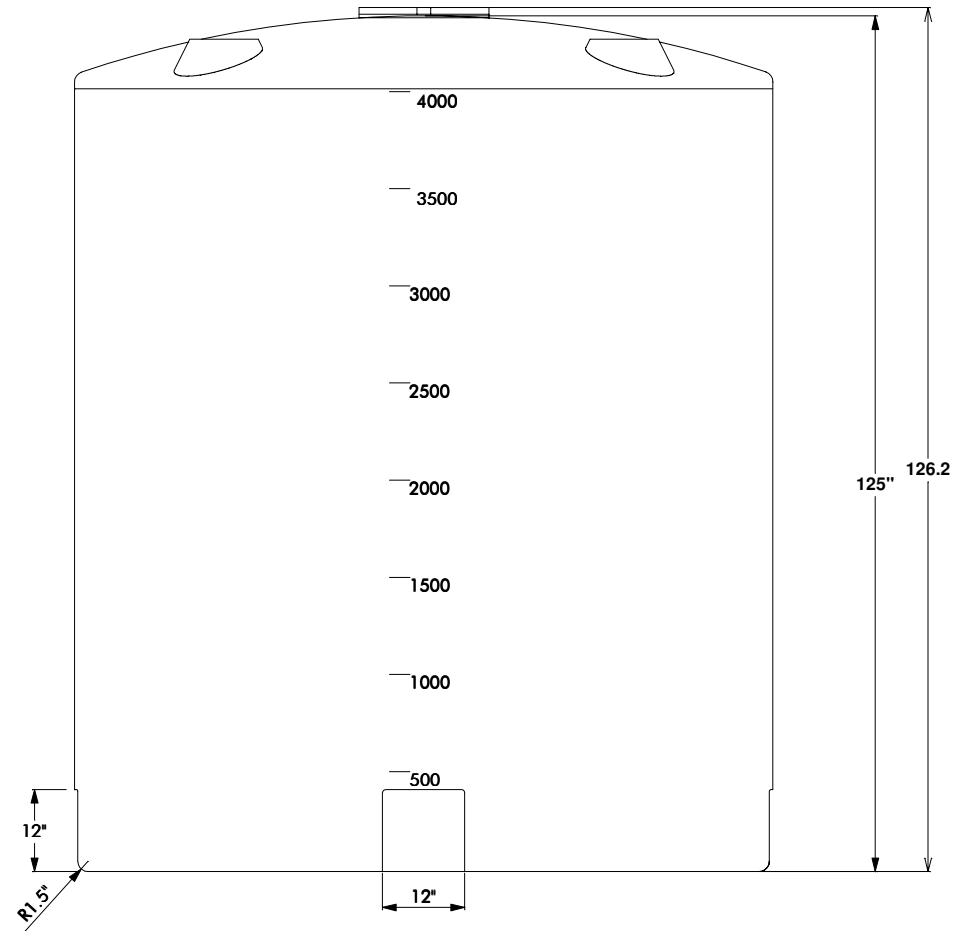
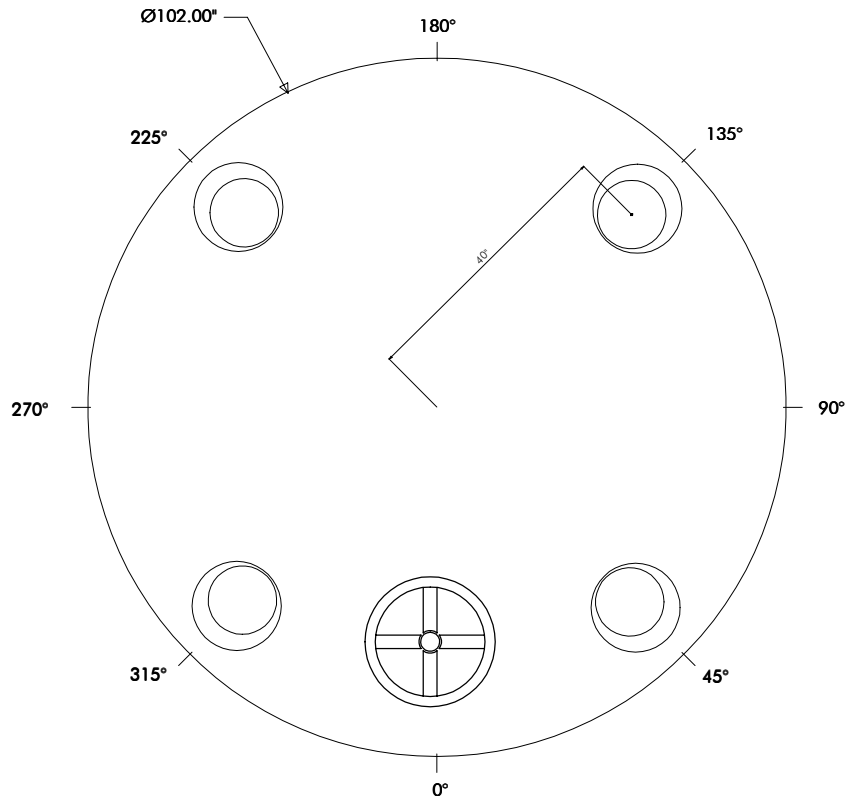


VTB4000-102

NSF 61 RESIN
 UV20 RATED
 ATMOSPHERIC PREASURE ONLY
 16" VENTED LID STANDARD
 22" LID AVAILABLE
 AVAILABLE IN COLORS



				DRAWN BY / DATE DHALL / 4-2-19		MATERIAL / SHOT WEIGHT HDPE 850 LBS.		BAILIFF ENTERPRISES, INC. 302 North Thomason Road Willis, Texas 77378	
				APPROVED BY / DATE		NOTES:		CLIENT/DESCRIPTION 4,000 GALLON VERTICAL TANK	
All dimensions are in decimal inches Tolerances unless otherwise specified +/- .5% at 68° F.				THIRD ANGLE PROJECTION ANSI 14.5M 		SCALE N.S.		PART NUMBER VTB4000-102	
REV	DESCRIPTION	DATE	APPRD						