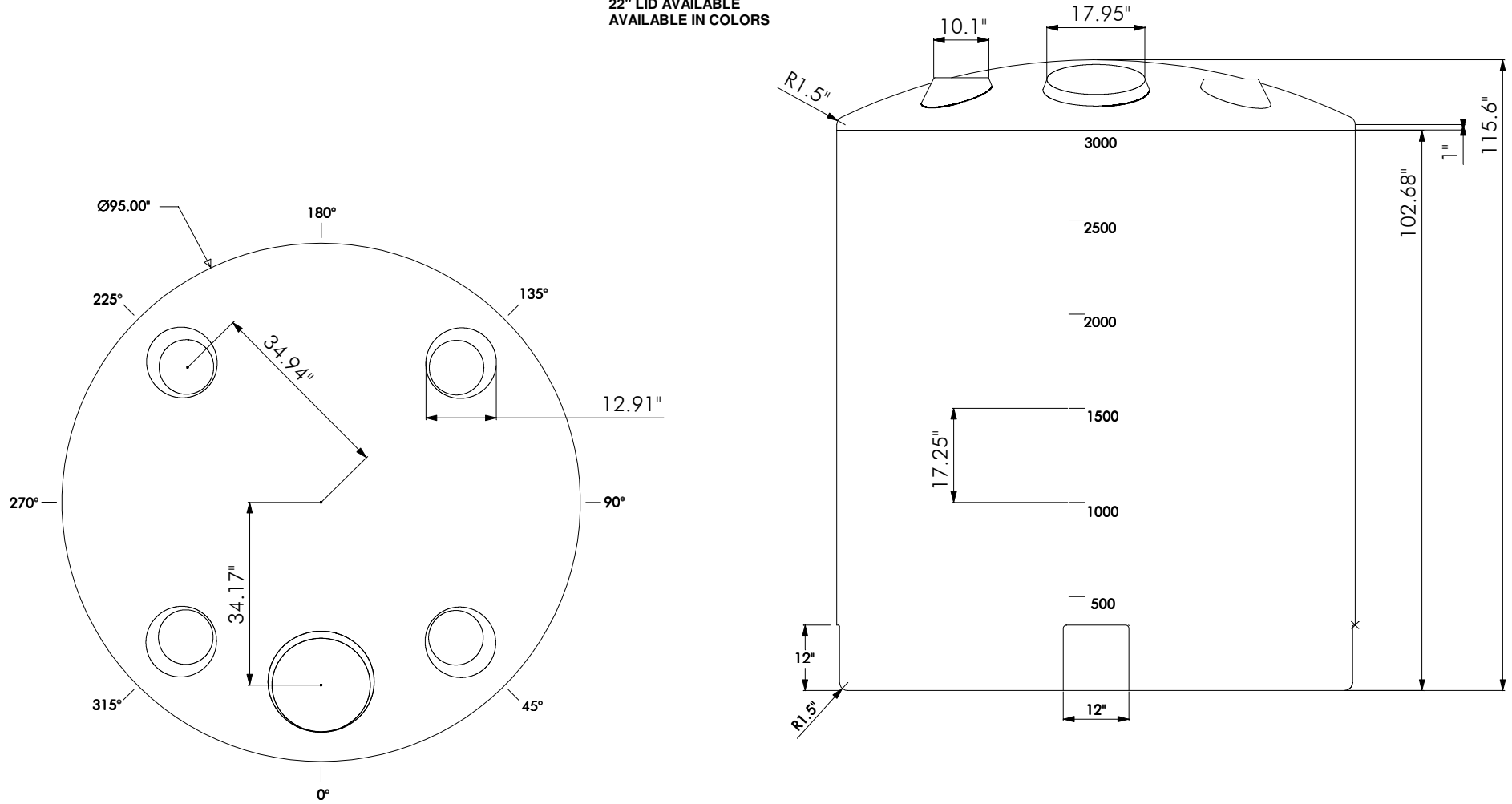


VTB3000-95

NSF 61 RESIN
 UV15 RATED
 1.9 SPECIFIC GRAVITY STANDARD
 ATMOSPHERIC PREASURE ONLY
 THREADED OR FLANGED FITTINGS AVAILABLE
 16" VENTED LID STANDARD
 22" LID AVAILABLE
 AVAILABLE IN COLORS



				DRAWN BY / DATE DHALL / 4-2-19	MATERIAL / SHOT WEIGHT	BAILIFF ENTERPRISES, INC. 302 North Thomason Road Willis, Texas 77378	
				APPROVED BY / DATE	NOTES: AVAILABLE IN HDPE, POLYPROPYLENE & PVDF.	CLIENT/DESCRIPTION 3000 GALLON TANK	
REV DESCRIPTION DATE APPRD	All dimensions are in decimal inches Tolerances unless otherwise specified +/- .5% at 68° F.			THIRD ANGLE PROJECTION ANSI 14.5M		SCALE N.S.	PART NUMBER VTB3000-95