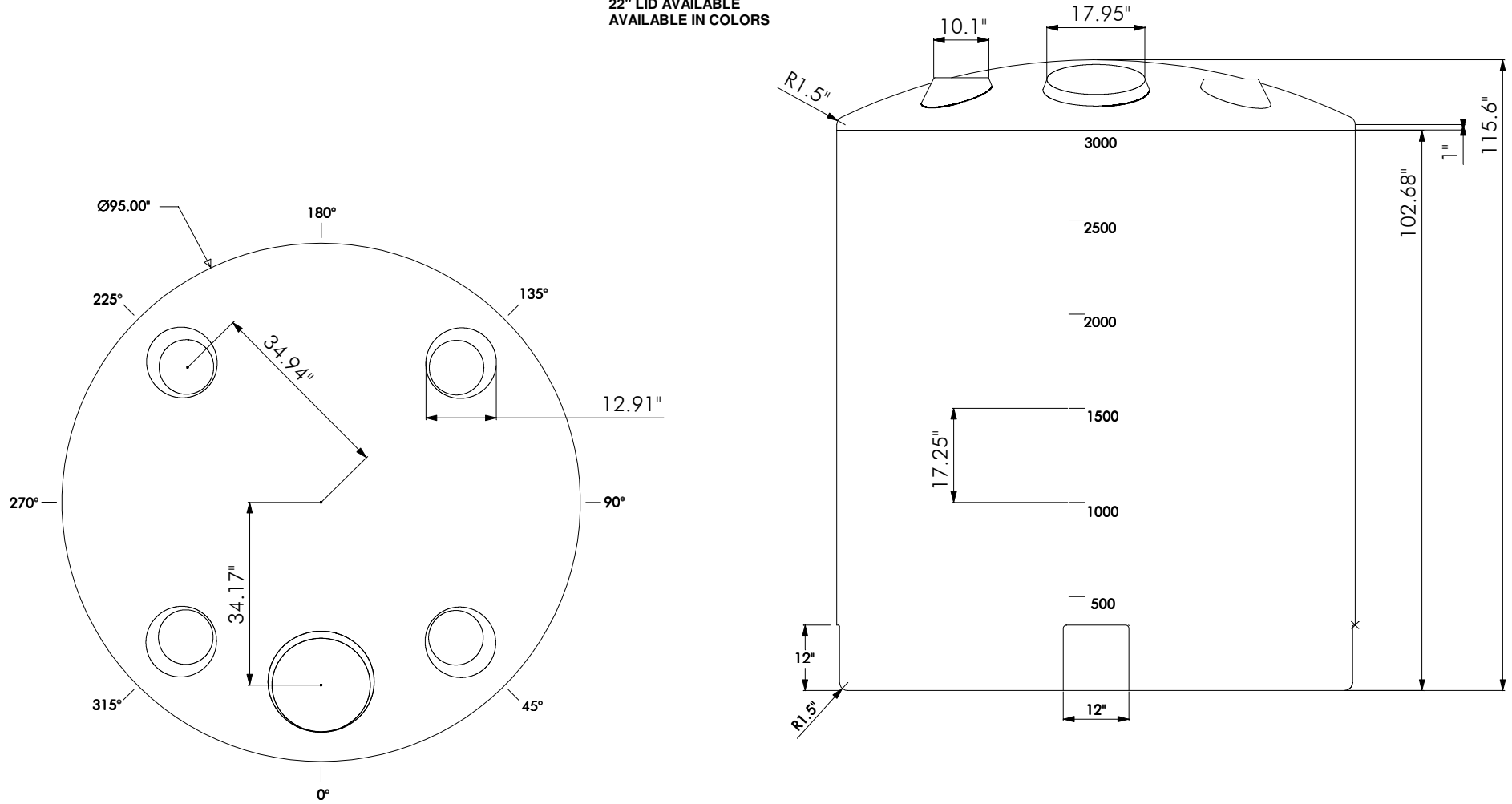


**VTB3000-95**

NSF 61 RESIN  
 UV15 RATED  
 1.9 SPECIFIC GRAVITY STANDARD  
 ATMOSPHERIC PREASURE ONLY  
 THREADED OR FLANGED FITTINGS AVAILABLE  
 16" VENTED LID STANDARD  
 22" LID AVAILABLE  
 AVAILABLE IN COLORS



				DRAWN BY / DATE DHALL / 4-2-19		MATERIAL / SHOT WEIGHT		BAILIFF ENTERPRISES, INC. 302 North Thomason Road Willis, Texas 77378	
				APPROVED BY / DATE		NOTES: AVAILABLE IN HDPE, POLYPROPYLENE & PVDF.		CLIENT/DESCRIPTION 3000 GALLON TANK	
REV	DESCRIPTION	DATE	APPRD	THIRD ANGLE PROJECTION ANSI 14.5M		SCALE N.S.		PART NUMBER VTB3000-95	
All dimensions are in decimal inches Tolerances unless otherwise specified +/- .5% at 68° F.									