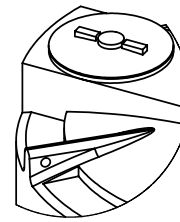
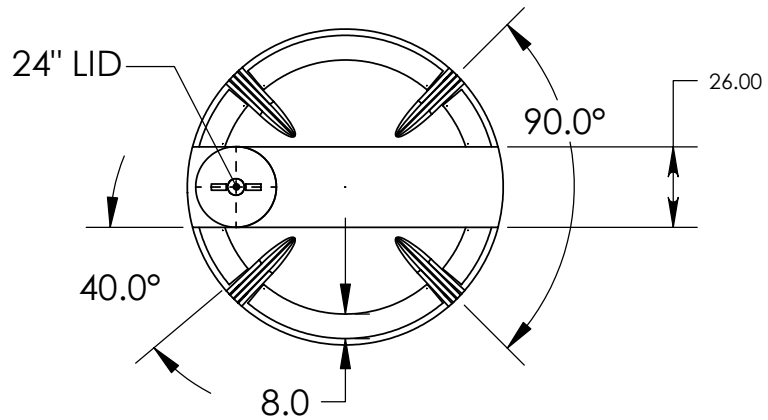
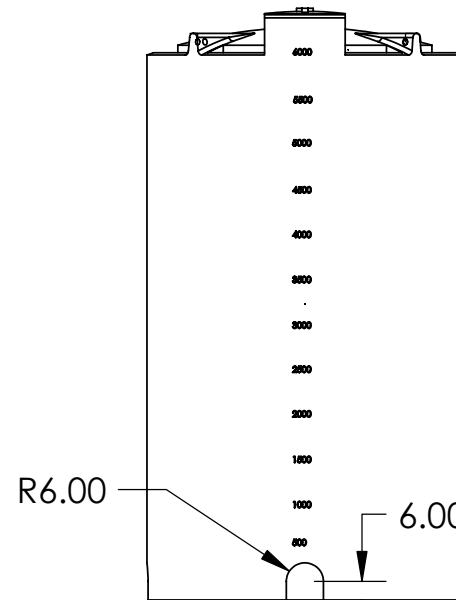
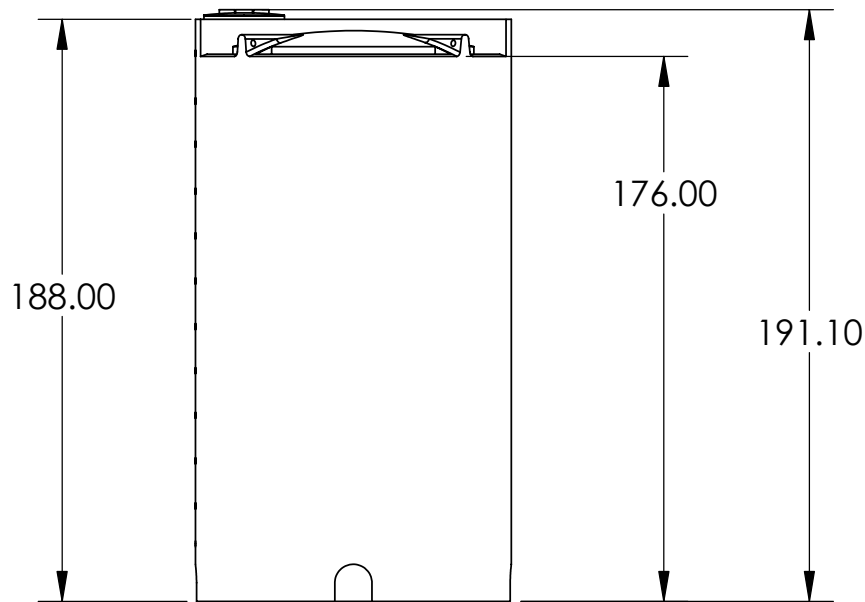
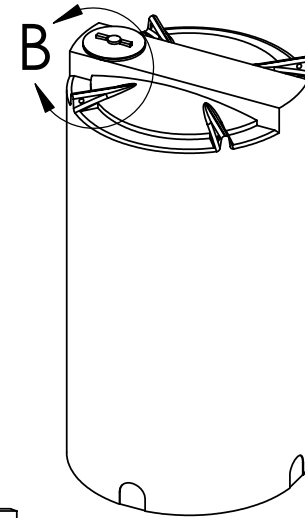


PRELIMINARY DRAWING. USE ONLY AS REFERENCE ONLY. DRAWING HAS NOT BEEN ISSUED FOR MOLD.



DETAIL B
SCALE 1 : 40



PROPRIETARY AND CONFIDENTIAL
THE INFORMATION CONTAINED IN THIS DRAWING IS THE SOLE PROPERTY OF BAILIFF ENTERPRISES, INC. ANY REPRODUCTION IN PART OR AS A WHOLE WITHOUT THE WRITTEN PERMISSION OF BAILIFF ENTERPRISES, INC. IS PROHIBITED.

| | | | | | |
|-------------|--|--------------------------------------|----------------|-----------|---------|
| | | UNLESS OTHERWISE SPECIFIED: | | NAME | DATE |
| | | DIMENSIONS ARE IN INCHES | DRAWN | MPS | 8/24/04 |
| | | TOLERANCES: | CHECKED | RDB | 8/24/04 |
| | | FRACTIONAL ± | ENG APPR. | MPS | 8/24/04 |
| | | ANGULAR: MACH ± BEND ± | MFG APPR. | | |
| | | TWO PLACE DECIMAL ± | Q.A. | JF | 8/24/04 |
| | | THREE PLACE DECIMAL ± | COMMENTS: | | |
| | | INTERPRET GEOMETRIC TOLERANCING PER: | 1.5 S.G. RATED | 1550 LBS | |
| | | MATERIAL | 1.9 S.G. RATED | 1850 LBS. | |
| | | HDPE 8661 | | | |
| | | FINISH | | | |
| NEXT ASSY | | | | | |
| APPLICATION | | DO NOT SCALE DRAWING | | | |

BAILIFF ENTERPRISES, INC.
8423 AIRLINE DRIVE
HOUSTON, TEXAS 77037

6000-GALLON VERTICAL STORAGE TANK

TITLE: **A** DWG. NO. **VTB6000-102** REV

SCALE: 1:1 WEIGHT: SHEET 1 OF 3

5

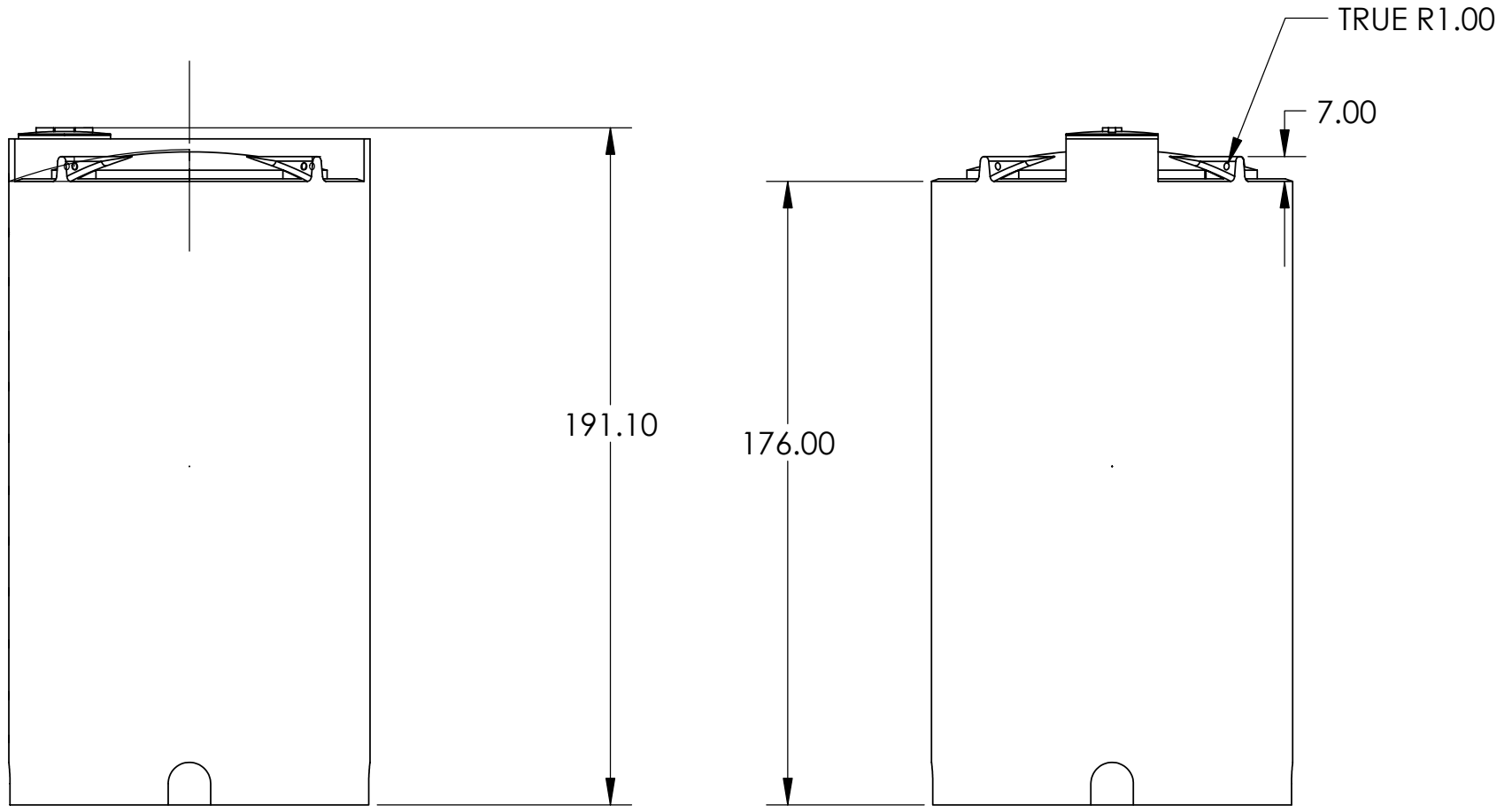
4

3

2

1

PRELIMINARY DRAWING. USE ONLY AS REFERENCE ONLY. DRAWING HAS NOT BEEN ISSUED FOR MOLD.



PROPRIETARY AND CONFIDENTIAL
 THE INFORMATION CONTAINED IN THIS DRAWING IS THE SOLE PROPERTY OF <INSERT COMPANY NAME HERE>. ANY REPRODUCTION IN PART OR AS A WHOLE WITHOUT THE WRITTEN PERMISSION OF <INSERT COMPANY NAME HERE> IS PROHIBITED.

| | | | | | |
|-------------|--|--------------------------------------|-----------|------|------|
| | | UNLESS OTHERWISE SPECIFIED: | | NAME | DATE |
| | | DIMENSIONS ARE IN INCHES | DRAWN | | |
| | | TOLERANCES: | CHECKED | | |
| | | FRACTIONAL ± | ENG APPR. | | |
| | | ANGULAR: MACH ± BEND ± | MFG APPR. | | |
| | | TWO PLACE DECIMAL ± | Q.A. | | |
| | | THREE PLACE DECIMAL ± | COMMENTS: | | |
| | | INTERPRET GEOMETRIC TOLERANCING PER: | | | |
| | | MATERIAL | | | |
| | | FINISH | | | |
| NEXT ASSY | | | | | |
| APPLICATION | | DO NOT SCALE DRAWING | | | |

| | | |
|---|--------------------------------|--------------|
| BAILIFF ENTERPRISES, INC. 8423 AIRLINE DRIVE HOUSTON, TEXAS 77037 | | |
| TITLE: 6000-GALLON VERTICAL STORAGE TANK | | |
| SIZE A | DWG. NO. VTB6000-102 | REV |
| SCALE: 1:96 | WEIGHT: | SHEET 2 OF 3 |

5

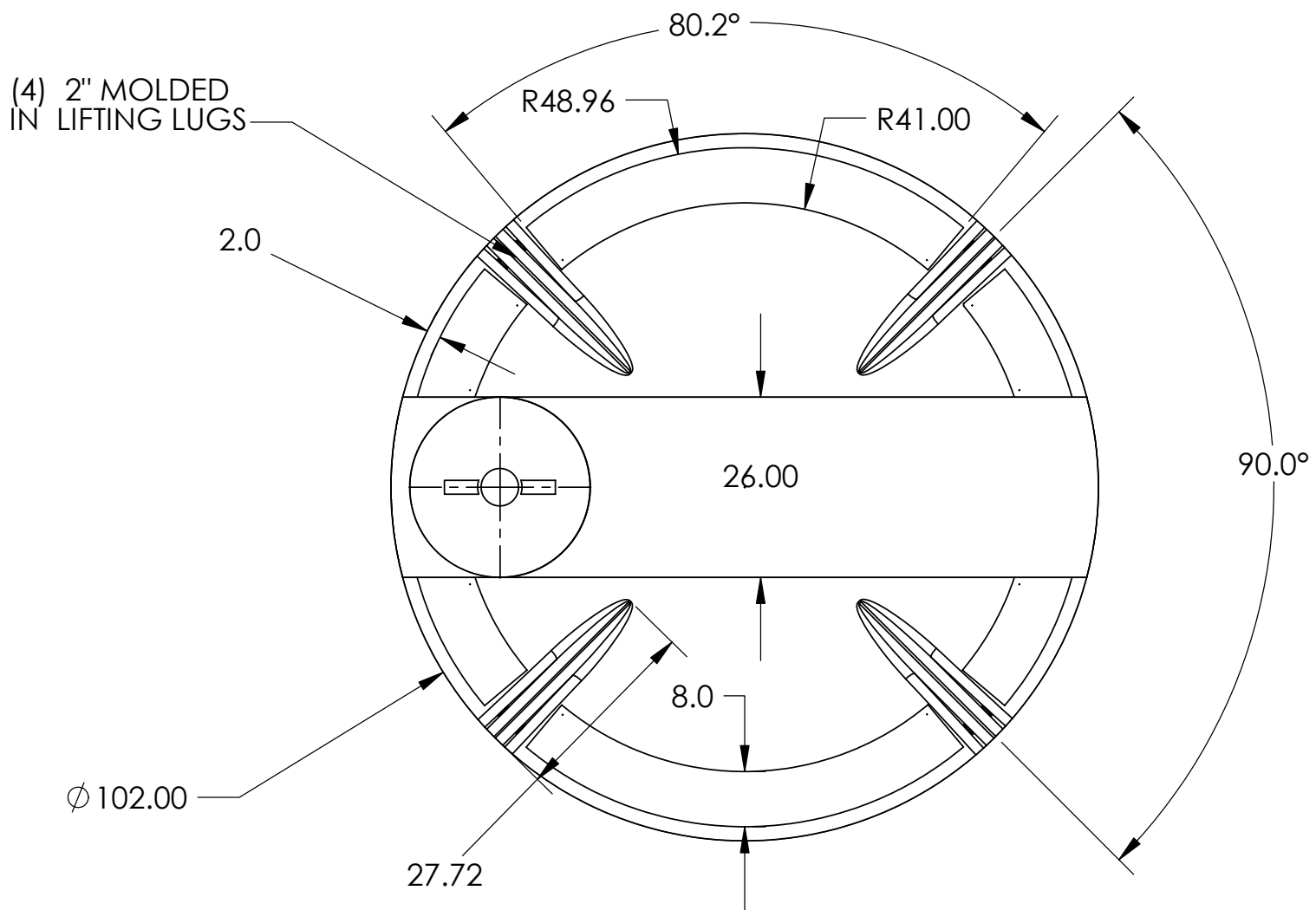
4

3

2

1

PRELIMINARY DRAWING. USE ONLY AS REFERENCE ONLY. DRAWING HAS NOT BEEN ISSUED FOR MOLD.



PROPRIETARY AND CONFIDENTIAL
 THE INFORMATION CONTAINED IN THIS DRAWING IS THE SOLE PROPERTY OF <INSERT COMPANY NAME HERE>. ANY REPRODUCTION IN PART OR AS A WHOLE WITHOUT THE WRITTEN PERMISSION OF <INSERT COMPANY NAME HERE> IS PROHIBITED.

| | | | | | |
|-------------|--|--------------------------------------|-----------|------|------|
| | | UNLESS OTHERWISE SPECIFIED: | | NAME | DATE |
| | | DIMENSIONS ARE IN INCHES | DRAWN | | |
| | | TOLERANCES: | CHECKED | | |
| | | FRACTIONAL ± | ENG APPR. | | |
| | | ANGULAR: MACH ± BEND ± | MFG APPR. | | |
| | | TWO PLACE DECIMAL ± | Q.A. | | |
| | | THREE PLACE DECIMAL ± | COMMENTS: | | |
| | | INTERPRET GEOMETRIC TOLERANCING PER: | | | |
| | | MATERIAL | | | |
| | | FINISH | | | |
| NEXT ASSY | | | | | |
| APPLICATION | | DO NOT SCALE DRAWING | | | |

| | | |
|---|--------------------------------|--------------|
| BAILIFF ENTERPRISES, INC. 8423 AIRLINE DRIVE HOUSTON, TEXAS 77037 | | |
| TITLE: 6000-GALLON VERTICAL STORAGE TANK | | |
| SIZE A | DWG. NO. VTB6000-102 | REV |
| SCALE: 1:96 | WEIGHT: | SHEET 3 OF 3 |