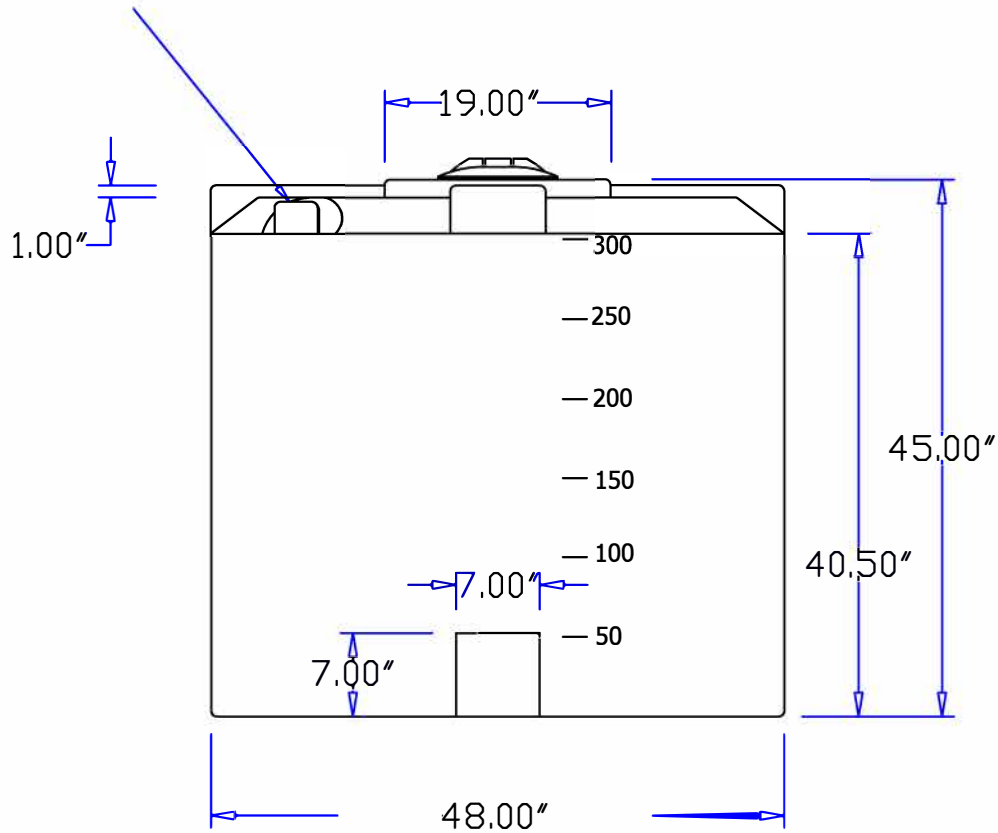
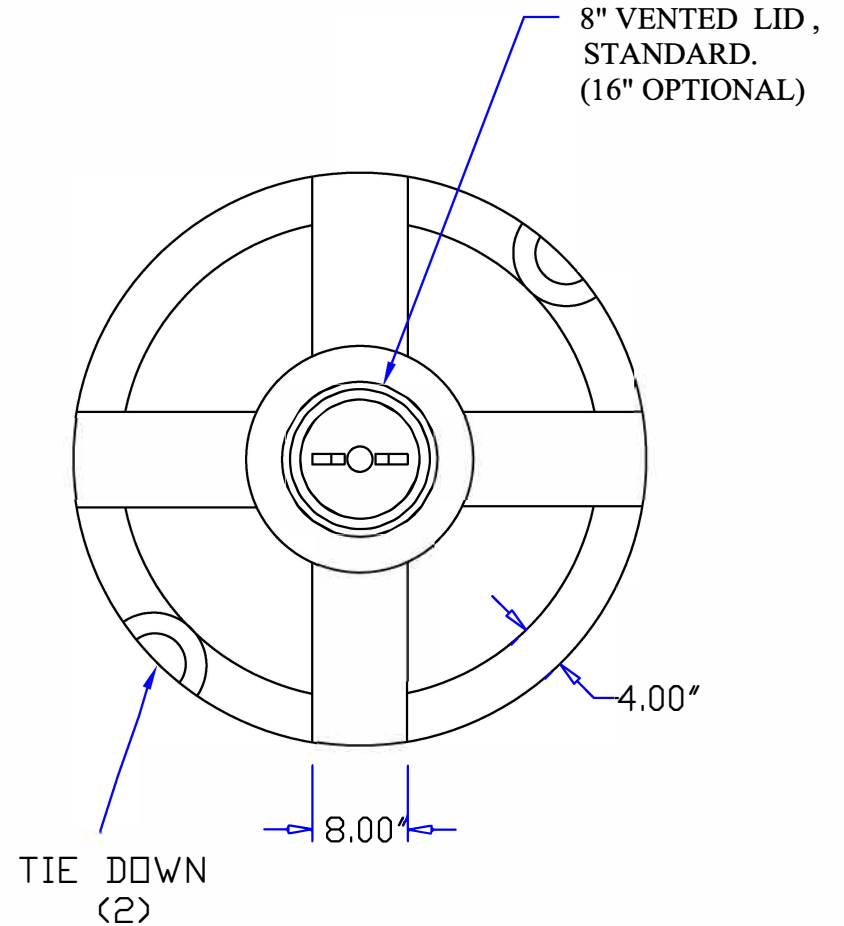


SIDE VIEW



TOP VIEW



NOTE: CALIBRATED IN GALLONS

1	CHANGE PART NO.	1/15/03	MPS	DRAWN / DATE MPS/6/12/03	MATERIAL / SHOT WEIGHT	<b>BAILIFF ENTERPRISES, INC.</b>	
				APPRD. / DATE	90/72 LBS.		
REV	DESCRIPTION	DATE	APPRD			CLIENT / DESCRIPTION	
						300 GALLON VERTICAL TANK	
ALL DIMENSIONS ARE IN DECIMAL INCHES TOLERANCES UNLESS OTHERWISE SPECIFIED ± .5% @ 68° F				THIRD ANGLE PROJECTION ANSI 14.5M 	NOTES:	SCALE N.S.	PART NO. VTB0300-48