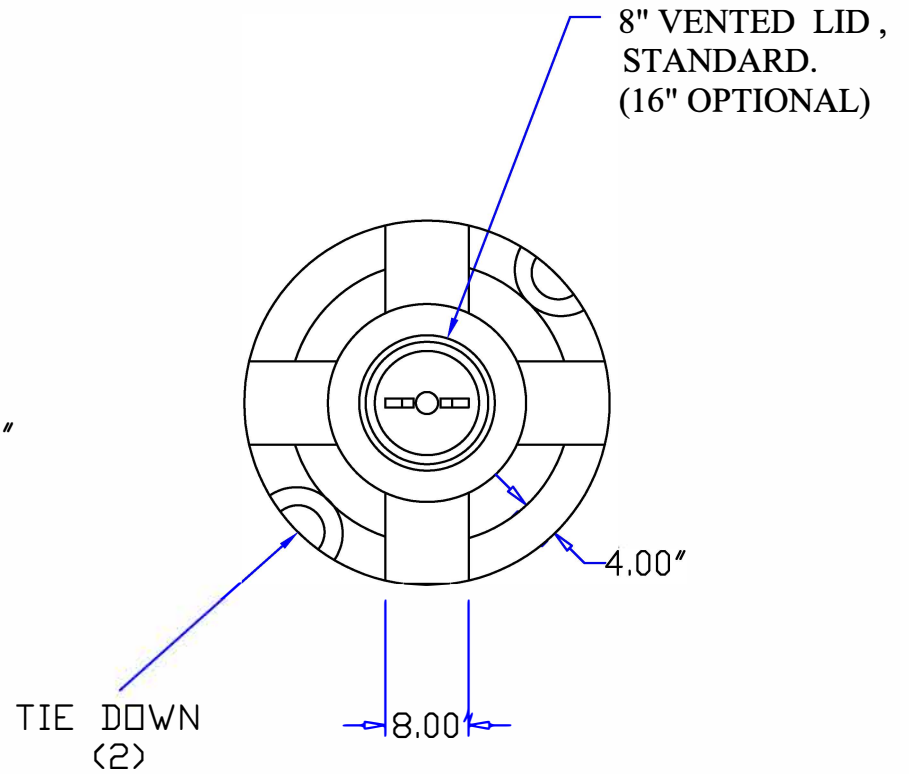
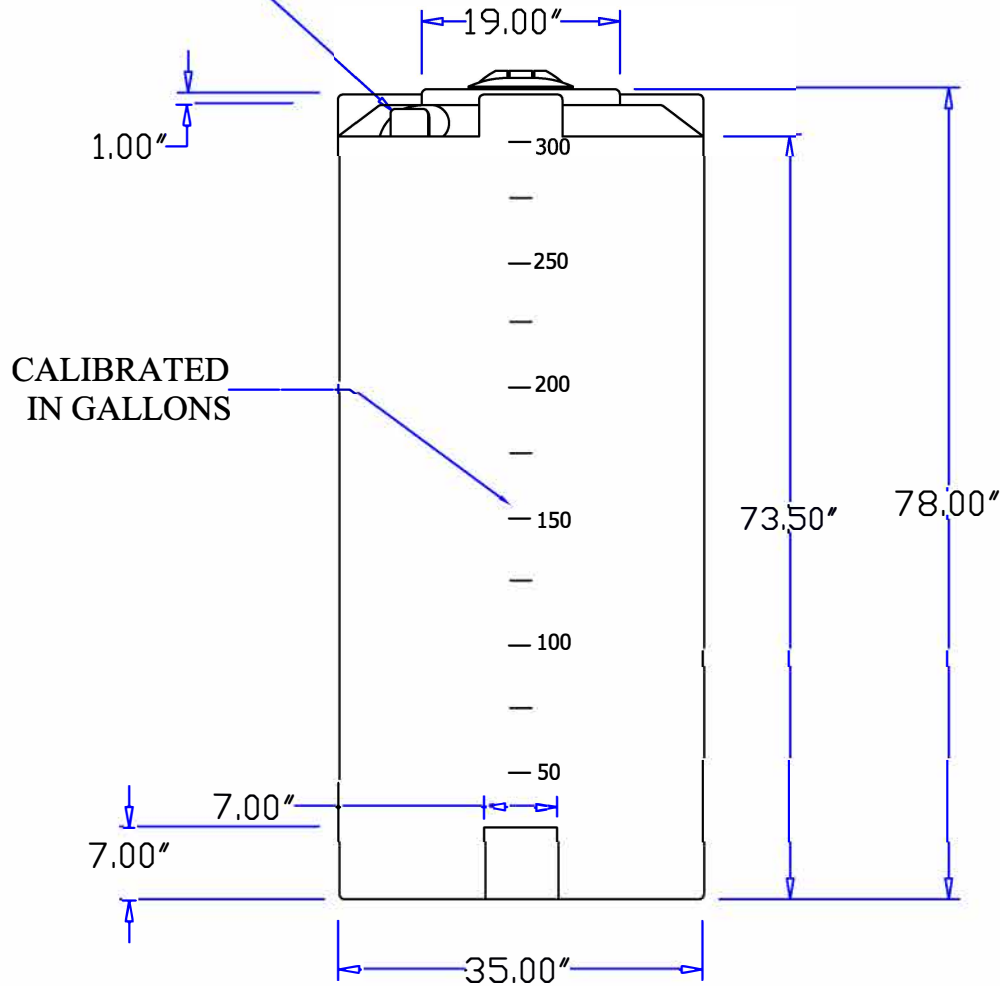


SIDE VIEW

TOP VIEW



REV1	PART #	1/9/03	MPS	DRAWN / DATE	MATERIAL / SHOT WEIGHT
				MPSYKES/5/12/03	HDPE, PP OR PVDF
REV	DESCRIPTION	DATE	APPRD	APPRD. / DATE	NOTES:

ALL DIMENSIONS ARE IN DECIMAL INCHES  
TOLERANCES UNLESS OTHERWISE SPECIFIED  
± .5% @ 68° F

THIRD ANGLE PROJECTION  
ANSI 14.5M

<b>BAILIFF ENTERPRISES, INC.</b>	
302 N THOMASON, WILLIS, TX 77378	
CLIENT / DESCRIPTION	
300 GALLON VERTICAL TANK	
SCALE	PART NO.
N.S.	VTB300-35