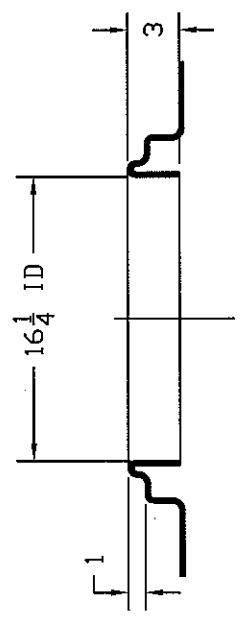
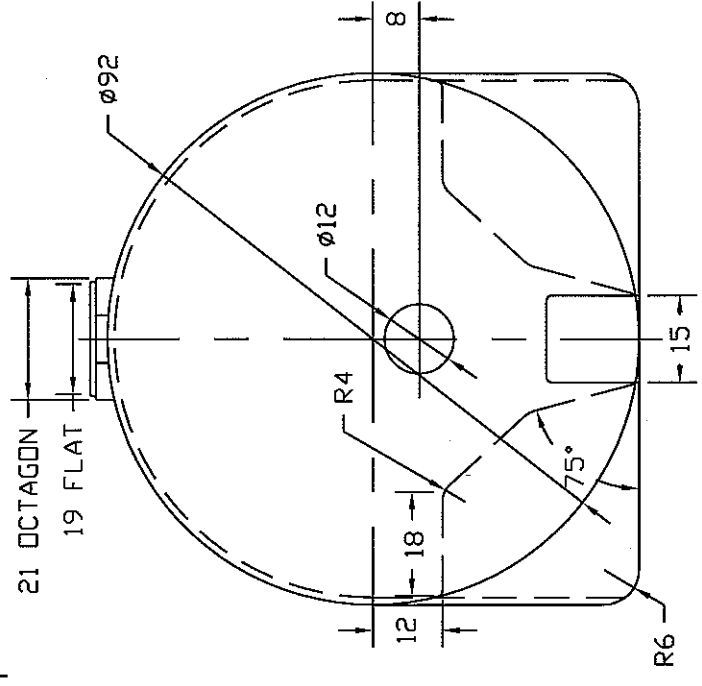
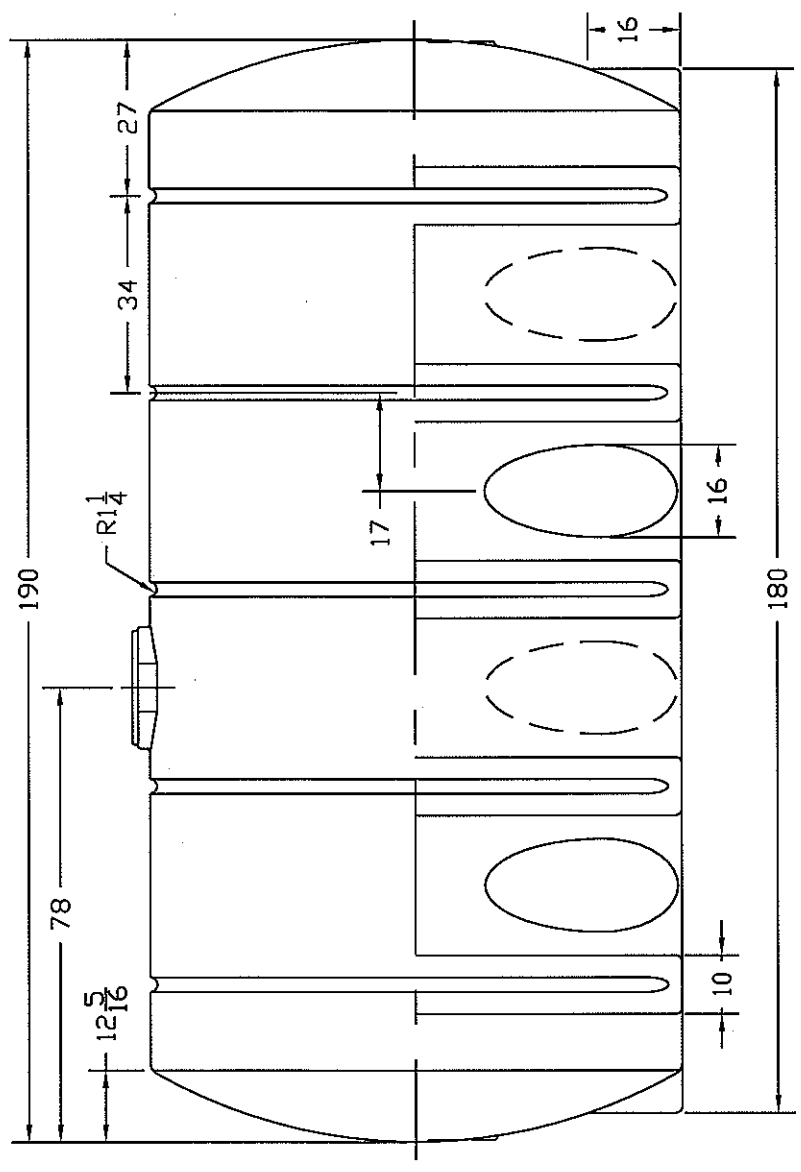


REVISIONS				
ZONE	REV	DESCRIPTION	DATE	APPROVED



FILLWELL DETAIL - 1/8" SCALE

ANDRWEESCO
ST. BONIFACIUS, MN
5025 HORIZONTAL
LEG TANK

JTP 04AUG03
SIZE B
FSCM NO. B
DWG NO. B
SCALE 1/24
SHEET