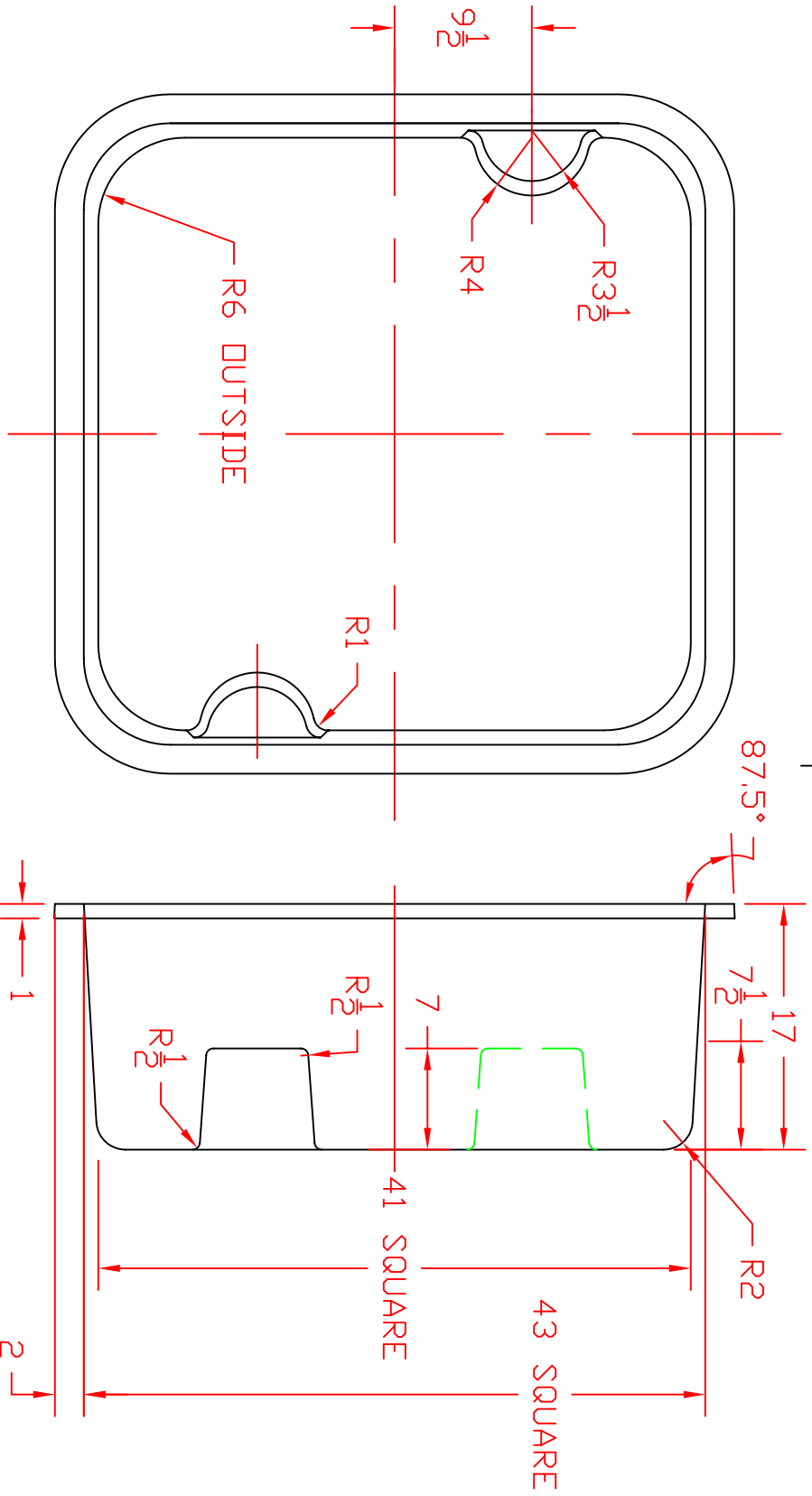


REVISIONS				
ZONE	REV	DESCRIPTION	DATE	APPROVED



NORWESCO
 ST. BONIFACIUS, MN
 140 GALLON BASIN

JTP	11FEB08	SIZE	FSCM NO.	DWG NO.	REV
A		SCALE	1/12	42771	
SHEET					