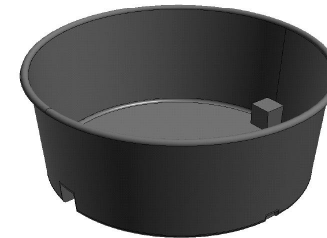
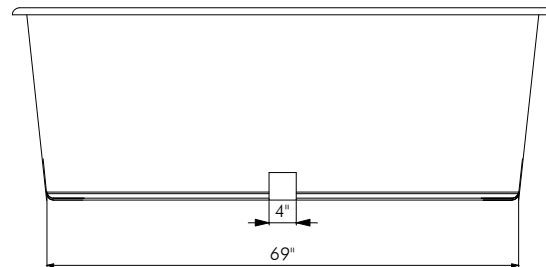
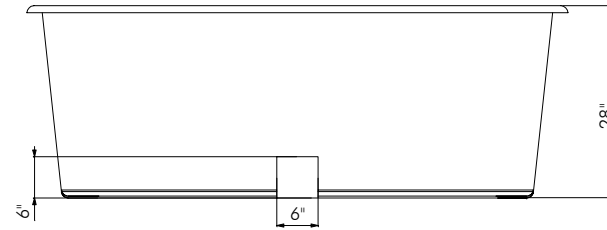
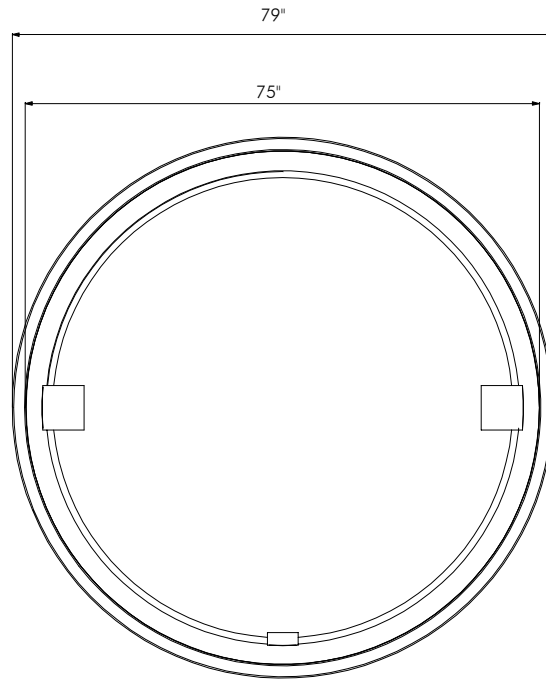


**CTB-475-79**

NSF 61 RESIN  
 1.9 SPECIFIC GRAVITY STANDARD  
 UV15 RATED  
 AVAILABLE IN COLORS  
 THREADED OR FLANGED FITTINGS AVAILABLE  
 RESINS AVAILABLE:  
 HDPE, POLYPRO, PVDF



				<b>DRAWN BY / DATE</b> DHALL / 8-2-19		<b>MATERIAL / SHOT WEIGHT</b> HDPE      100 LBS.		<b>BAILIFF ENTERPRISES, INC.</b> 302 North Thomason Road - Willis, Texas 77378 Phone 936.890.7777 Fax 936.890-7773	
				<b>APPROVED BY / DATE</b>		<b>NOTES:</b>		<b>CLIENT/DESCRIPTION</b> 475 GALLON CONTAINMENT TANK	
<b>REV</b>	<b>DESCRIPTION</b>	<b>DATE</b>	<b>APPRD</b>					<b>SCALE</b> N.S.	<b>PART NUMBER</b>
All dimensions are in decimal inches Tolerances unless otherwise specified +/- .5% at 68 degrees F.				THIRD ANGLE PROJECTION ANSI 14.5M 					