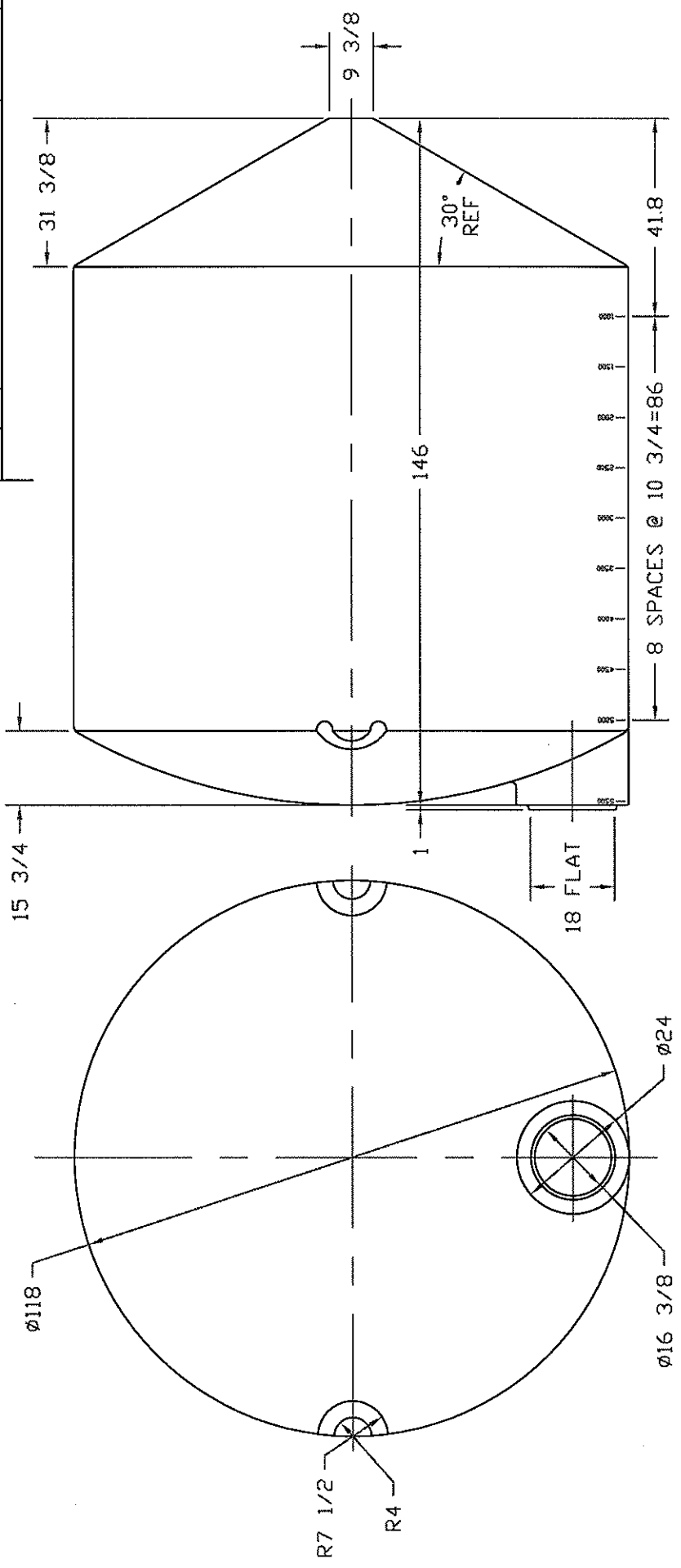


REVISIONS		
ZONE	REV	DESCRIPTION
	A	TIEDOWNS REVISED

DATE	APPROVED
22DEC98	



NORWESCO		ST. BONIFACIUS, MN	
5500 GALLON CONE		BOTTOM TANK	
JTP	27JAN97	SIZE B	FSCM NO.
		DWG NO.	
		REV A	
SCALE 1/24		SHEET	